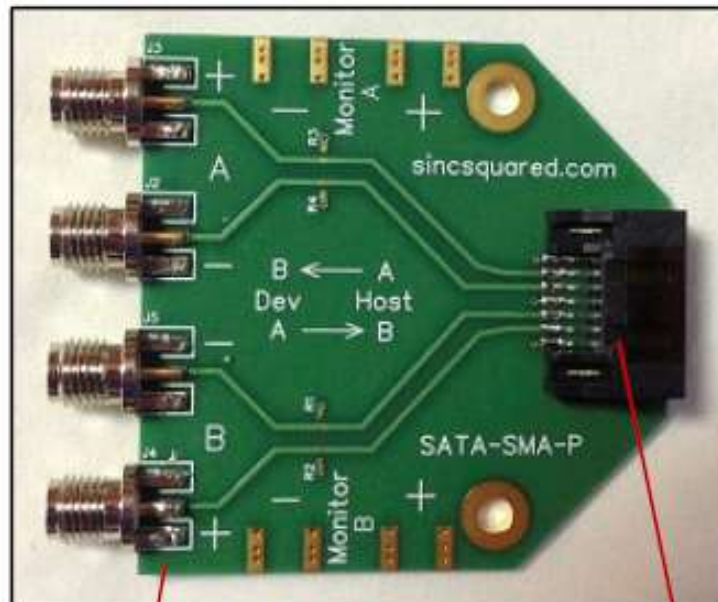
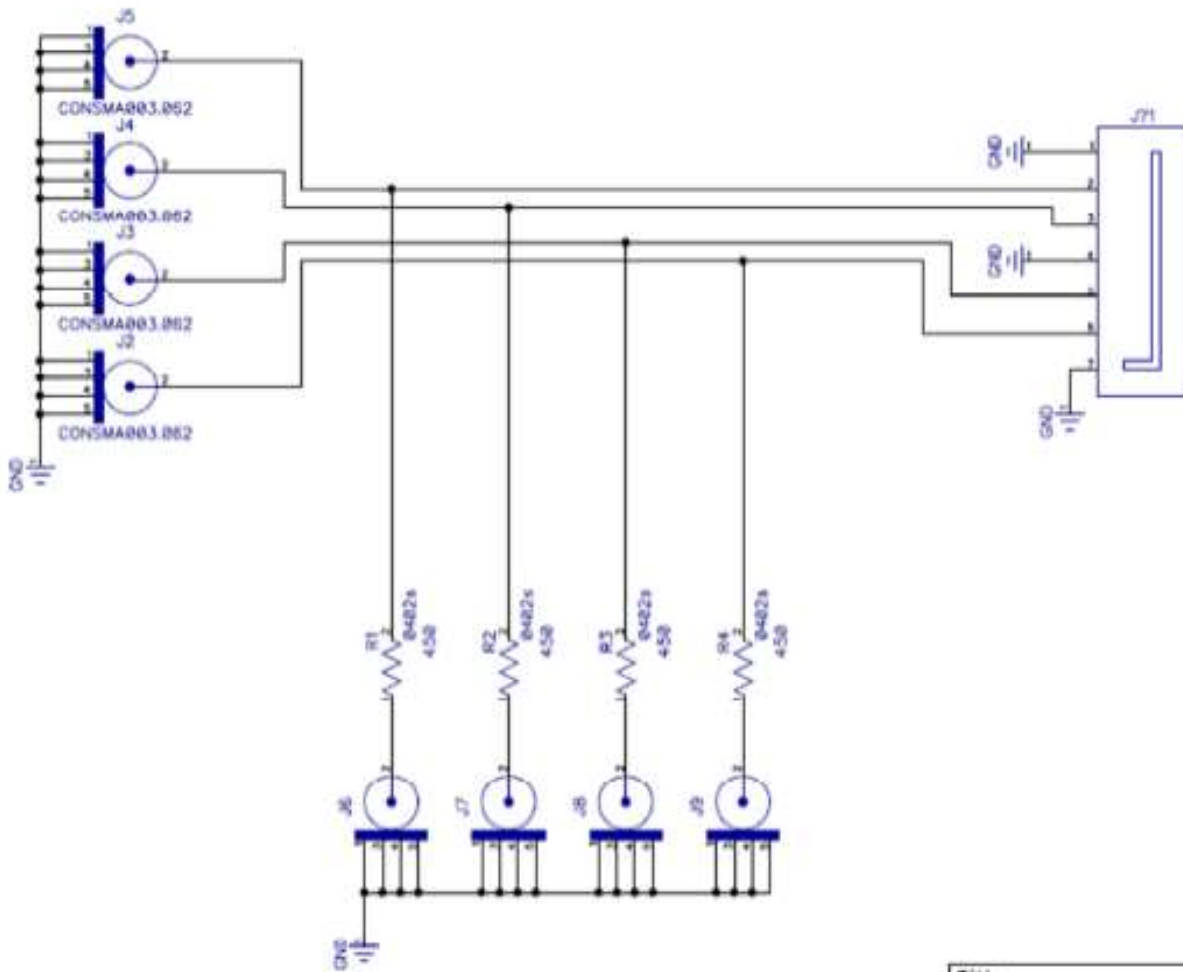


Sinc Squared SATA to SMA Breakout Board



Standard configuration includes 4 SMA connectors. **Optional:** add 4 additional monitor SMA connectors (for 8 SMA connectors total).





Title _____